



Wiertła puszkowe

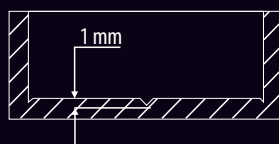
CMT ORANGE TOOLS™

HW Z2 V2 RH LH

317

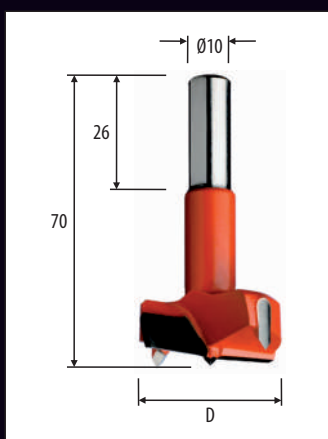


D mm	L mm	S mm	SYMBOL Obroty - Prawe	SYMBOL Obroty - Lewe	CENA NETTO/Zł
14	57,5	10x26	317.140.11	317.140.12	43,80
15	57,5	10x26	317.150.11	317.150.12	43,80
16	57,5	10x26	317.160.11	317.160.12	44,50
17	57,5	10x26	317.170.11	317.170.12	45,90
18	57,5	10x26	317.180.11	317.180.12	45,90
19	57,5	10x26	317.190.11	317.190.12	45,90
20	57,5	10x26	317.200.11	317.200.12	45,90
22	57,5	10x26	317.220.11	317.220.12	49,90
24	57,5	10x26	317.240.11	317.240.12	50,80
25	57,5	10x26	317.250.11	317.250.12	50,80
26	57,5	10x26	317.260.11	317.260.12	50,80
28	57,5	10x26	317.280.11	317.280.12	52,80
30	57,5	10x26	317.300.11	317.300.12	52,80
32	57,5	10x26	317.320.11	317.320.12	58,60
34	57,5	10x26	317.340.11	317.340.12	58,60
35	57,5	10x26	317.350.11	317.350.12	53,50
38	57,5	10x26	317.380.11	317.380.12	65,90
40	57,5	10x26	317.400.11	317.400.12	65,90



Nowa konstrukcja z 1 mm punktem centralnym

369



D mm	L mm	S mm	SYMBOL Obroty - Prawe	SYMBOL Obroty - Lewe	CENA NETTO/Zł
14	70	10x26	369.140.11	369.140.12	48,60
15	70	10x26	369.150.11	369.150.12	48,60
16	70	10x26	369.160.11	369.160.12	50,80
18	70	10x26	369.180.11	369.180.12	53,60
20	70	10x26	369.200.11	369.200.12	53,60
22	70	10x26	369.220.11	369.220.12	57,70
25	70	10x26	369.250.11	369.250.12	57,70
26	70	10x26	369.260.11	369.260.12	57,70
30	70	10x26	369.300.11	369.300.12	59,60
35	70	10x26	369.350.11	369.350.12	59,00
40	70	10x26	369.400.11	369.400.12	71,10

www.itatools.pl

sklep internetowy

ITA TOOLS Sp. z o. o., ul. Wodna 9, 30-556 Kraków

tel: +48(12) 655 73 15, fax: +48(12) 396 42 95, e-mail: biuro@itatools.pl

Zapraszamy również do zapoznania się z ofertą maszyn na www.ita.pl

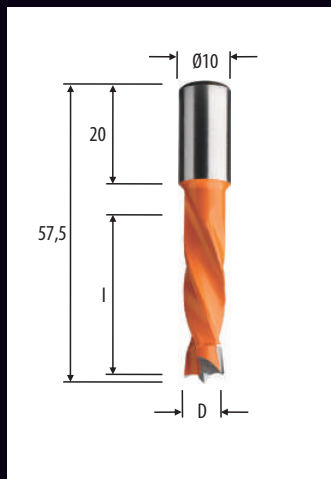


CMT ORANGE TOOLS™

KUPUJĄC JAKOŚĆ OSZCZĘDZASZ

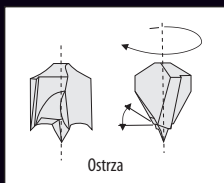
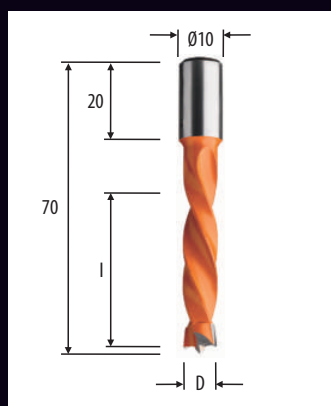
MADE IN ITALY

308



D mm	I mm	L mm	S mm	SYMBOL Obroty - Prawe	SYMBOL Obroty - Lewe	CENA NETTO/Zł
4	26	57,5	10x20	308.040.11	308.040.12	24,30
5	30	57,5	10x20	308.050.11	308.050.12	20,20
6	30	57,5	10x20	308.060.11	308.060.12	20,40
6,35	30	57,5	10x20	308.064.11	308.064.12	24,90
7	30	57,5	10x20	308.070.11	308.070.12	22,50
8	30	57,5	10x20	308.080.11	308.080.12	22,30
9	30	57,5	10x20	308.090.11	308.090.12	24,90
9,52	30	57,5	10x20	308.095.11	308.095.12	27,10
10	30	57,5	10x20	308.100.11	308.100.12	24,90
11	30	57,5	10x20	308.110.11	308.110.12	27,00
12	30	57,5	10x20	308.120.11	308.120.12	27,00
12,7	30	57,5	10x20	308.127.11	308.127.12	35,90
13	30	57,5	10x20	308.130.11	308.130.12	37,10
14	30	57,5	10x20	308.140.11	308.140.12	37,70
15	30	57,5	10x20	308.150.11	308.150.12	43,60
16	30	57,5	10x20	308.160.11	308.160.12	45,40

309

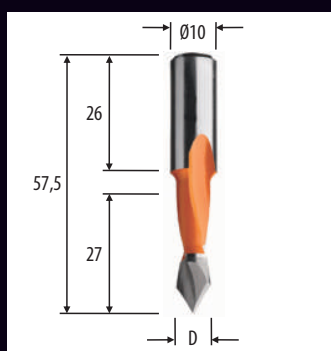


D mm	I mm	L mm	S mm	SYMBOL Obroty - Prawe	SYMBOL Obroty - Lewe	CENA NETTO/Zł
4	30	70	10x20	309.040.11	309.040.12	25,70
5	43	70	10x20	309.050.11	309.050.12	21,20
6	43	70	10x20	309.060.11	309.060.12	22,20
6,35	43	70	10x20	309.064.11	309.064.12	26,40
7	43	70	10x20	309.070.11	309.070.12	23,80
7,5	43	70	10x20	309.075.11	309.075.12	28,70
8	43	70	10x20	309.080.11	309.080.12	23,10
9	43	70	10x20	309.090.11	309.090.12	26,40
9,52	43	70	10x20	309.095.11	309.095.12	29,60
10	43	70	10x20	309.100.11	309.100.12	26,40
11	43	70	10x20	309.110.11	309.110.12	28,70
12	43	70	10x20	309.120.11	309.120.12	28,70
12,7	43	70	10x20	309.127.11	309.127.12	36,90
13	43	70	10x20	309.130.11	309.130.12	38,30
14	43	70	10x20	309.140.11	309.140.12	40,00
15	43	70	10x20	309.150.11	309.150.12	44,80
16	43	70	10x20	309.160.11	309.160.12	47,40

Części zamienne Śruba M5x10 990.003.00

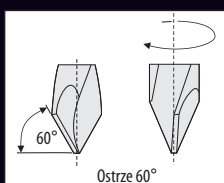
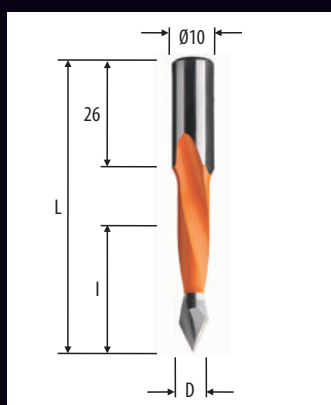
Wiertła standardowe - przelotowe

313



D mm	I mm	L mm	S mm	SYMBOL Obroty - Prawe	SYMBOL Obroty - Lewe	CENA NETTO/Zł
5	27	57,5	10x26	313.050.11	313.050.12	26,40
6	27	57,5	10x26	313.060.11	313.060.12	27,10
8	27	57,5	10x26	313.080.11	313.080.12	28,70
10	27	57,5	10x26	313.100.11	313.100.12	31,20

314



D mm	I mm	L mm	S mm	SYMBOL Obroty - Prawe	SYMBOL Obroty - Lewe	CENA NETTO/Zł
4	30	70	10x26	314.040.11	314.040.12	32,90
4,76	35	70	10x26	314.047.11	314.047.12	33,00
5	35	70	10x26	314.050.11	314.050.12	27,90
5,55	35	70	10x26	314.055.11	314.055.12	33,00
6	35	70	10x26	314.060.11	314.060.12	29,70
6,35	35	70	10x26	314.064.11	314.064.12	33,00
7	35	70	10x26	314.070.11	314.070.12	32,00
8	35	70	10x26	314.080.11	314.080.12	29,90
9	35	70	10x26	314.090.11	314.090.12	33,50
9,52	35	70	10x26	314.095.11	314.095.12	38,40
10	35	70	10x26	314.100.11	314.100.12	32,70
12	35	70	10x26	314.120.11	314.120.12	38,10
12,7	35	70	10x26	314.127.11	314.127.12	47,40